

MAXIM

MAX3873 Evaluation Kit

Evaluates: MAX3873

General Description

The MAX3873 evaluation kit (EV kit) simplifies evaluation of the MAX3873, a low-power 2.488Gbps/2.67Gbps clock recovery and data retiming IC. The EV kit enables testing of all the MAX3873 functions. SMA connectors are provided for the differential CML-compatible data and clock outputs. The differential data and clock outputs have on-board AC-coupling capacitors to allow direct connection to a high-speed oscilloscope. The MAX3873 EV kit is configured for 3.3V operation and consumes up to 150mA.

Component List

DESIGNATION	QTY	DESCRIPTION
C1–C6, C10–C22	19	0.1 μ F \pm 10% ceramic capacitors (0402)
C7	1	0.01 μ F \pm 10% ceramic capacitor (0402)
C8	1	33 μ F \pm 20% tantalum capacitor
C9	1	2.2 μ F \pm 10% ceramic capacitor (1206)
C23–C26	0	Not installed
D1	1	Red LED
J1–J6	6	SMA connectors (edge-mount)
J9–J12	0	Not installed
R1	1	392 Ω \pm 1% resistor (0402)
L1–L4	4	56nH inductors
JU1–JU5, JU9, JU11	0	Not installed
JU6–JU8, JU10	4	3-pin headers (0.1in centers)
JU6–JU8, JU10	4	Shunts
VCC, GND	2	Test points
U1	1	MAX3873EGP (20-pin QFN) 4mm x 4mm
None	1	MAX3873 evaluation kit
None	1	MAX3873 data sheet

Features

- ◆ SMA Connections for All System I/Os
- ◆ Test Point for Monitoring Loss-of-Lock (LOL)
- ◆ Single 3.3V Power-Supply Operation
- ◆ Fully Assembled and Tested

Ordering Information

PART	TEMP RANGE	IC PACKAGE
MAX3873EVKIT	-40°C to +85°C	20 QFN-EP (4mm x 4mm)

Detailed Description

The MAX3873 EV kit is fully assembled and factory tested. It enables testing of all MAX3873 functions.

Test Equipment Required

- 3.3V power supply with 300mA current capability
- Signal-source, 2.7Gbps minimum capability
- Jitter analyzer capable of 2.7Gbps performance
- Oscilloscope with at least 3GHz performance

Connections

The serial data inputs (SDI+, SDI-) have on-board AC-coupling capacitors. All the MAX3873 data and clock outputs (SDO+, SDO-, SCLKO+, SCLKO-) are internally terminated to 50 Ω and have on-board AC-coupling capacitors. Configured in this way, these outputs can be directly connected to the 50 Ω inputs of a high-speed oscilloscope for analysis.

Setup

- 1) Select either 2.488Gbps or 2.67Gbps with JU10 (RATESET).
- 2) Enable/Disable FASTRACK capture mode with JU6 (FASTRACK).
- 3) Enable/Disable Clock output with JU8 (SCLKEN).
- 4) Select amplitude of CML outputs to high/medium/low with JU7 (MODE).
- 5) Connect a 2.488Gbps/2.67Gbps PRBS NRZ signal to (SDI+, SDI-) inputs with 50 Ω cables.
- 6) Connect the (SDO+, SDO-, SCLKO+, SCLKO-) outputs to a 50 Ω high-speed oscilloscope. Terminate unused outputs with 50 Ω .

MAX3873 Evaluation Kit

Jitter analysis and product performance can also be observed by appropriately interfacing the EV kit with a bit-error-rate tester (BERT) and a jitter analyzer.

quency design techniques, including minimizing ground inductances and using controlled-impedance transmission lines on the data and clock signals.

Layout Considerations

The MAX3873's performance can be greatly affected by circuit board layout and design. Use good high-fre-

Jumpers and Test Points

NAME	TYPE	DESCRIPTION	VCC	GND	OPEN
JU10	3-pin	Sets VCO frequency	2.67Gbps	2.488Gbps	N/A
JU6	3-pin	Enables quick phase lock	Enabled	Disabled	N/A
JU7	3-pin	Sets amplitude of CML outputs	Medium	Low	High
JU8	3-pin	Enables clock output	Enabled	Disabled	N/A

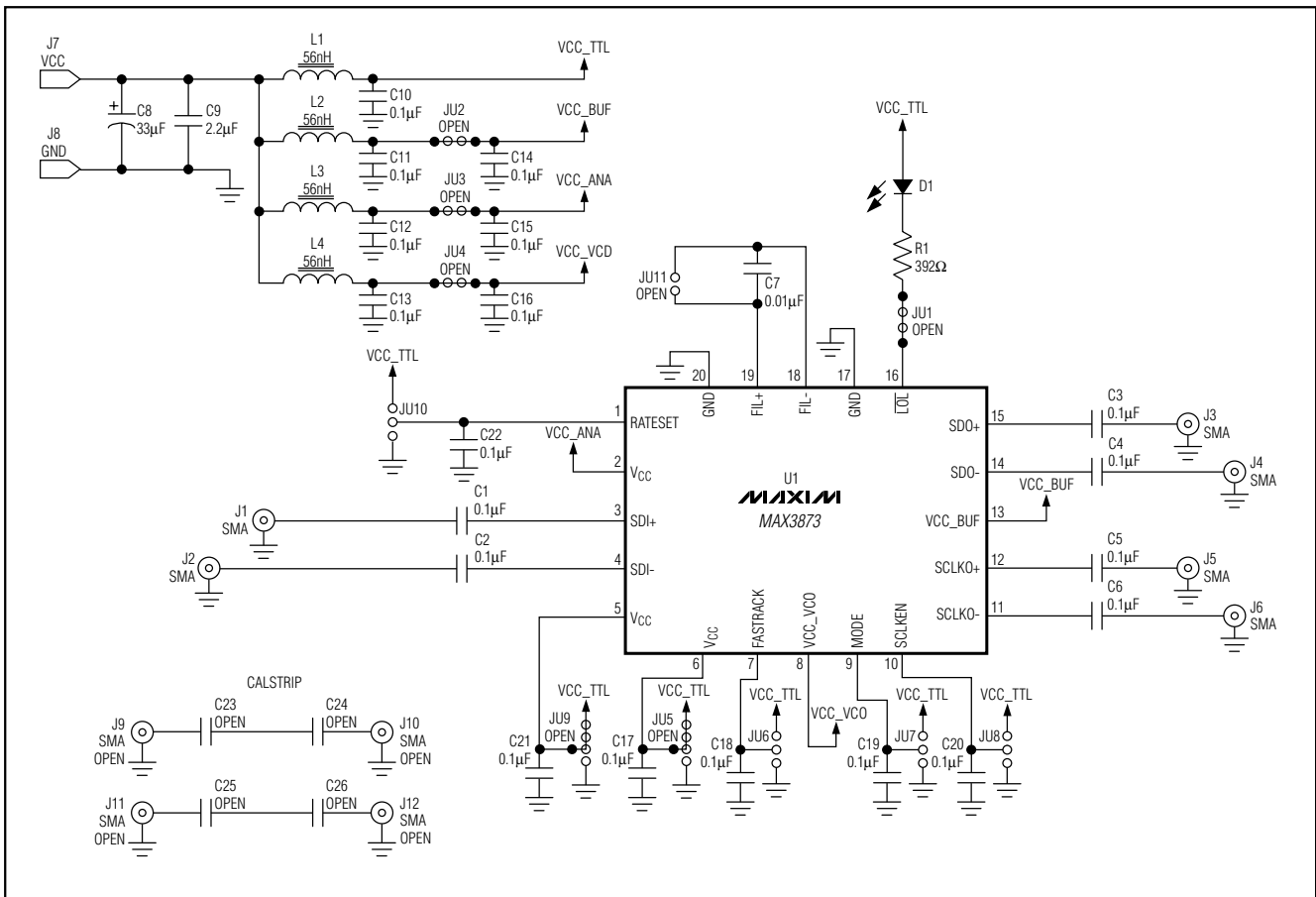


Figure 1. MAX3873 EV Kit Schematic

MAX3873 Evaluation Kit

Evaluates: MAX3873

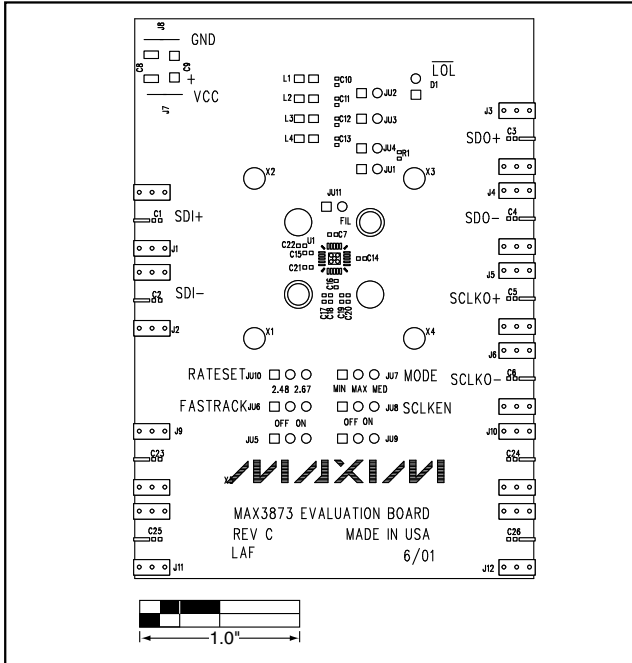


Figure 2. MAX3873 EV Kit Component Placement Guide—Component Side

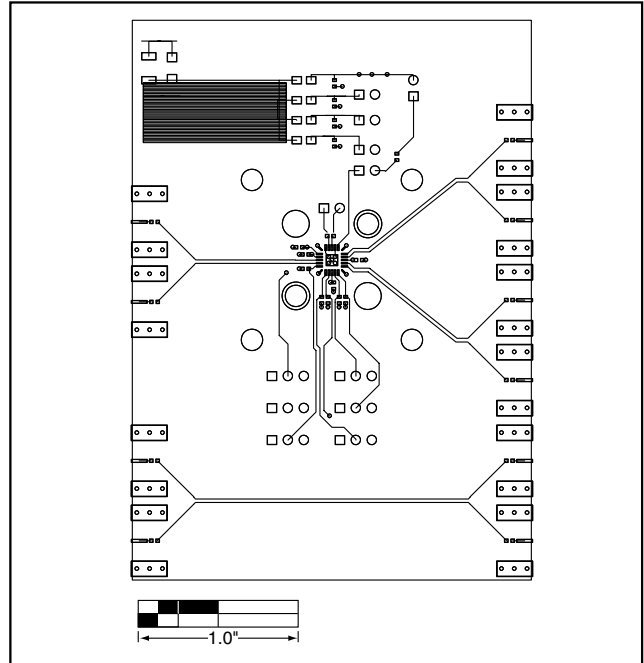


Figure 3. MAX3873 EV Kit PC Board Layout—Component Side

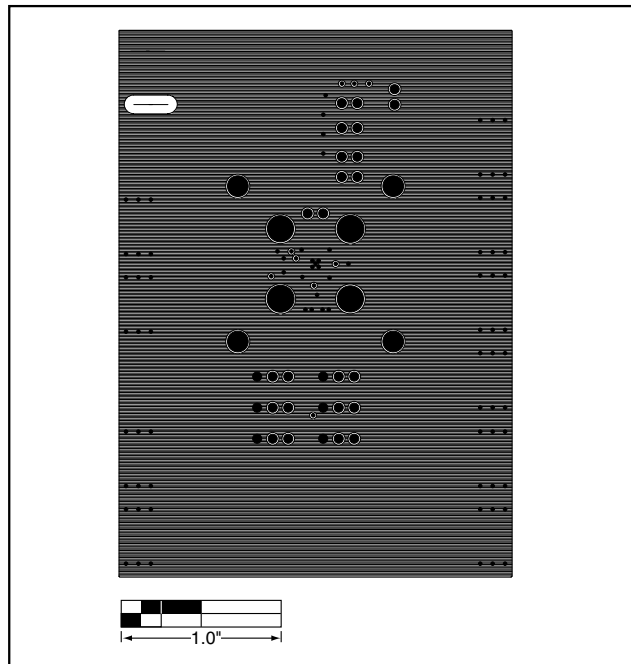


Figure 4. MAX3873 EV Kit PC Board Layout—Ground Plane

MAX3873 Evaluation Kit

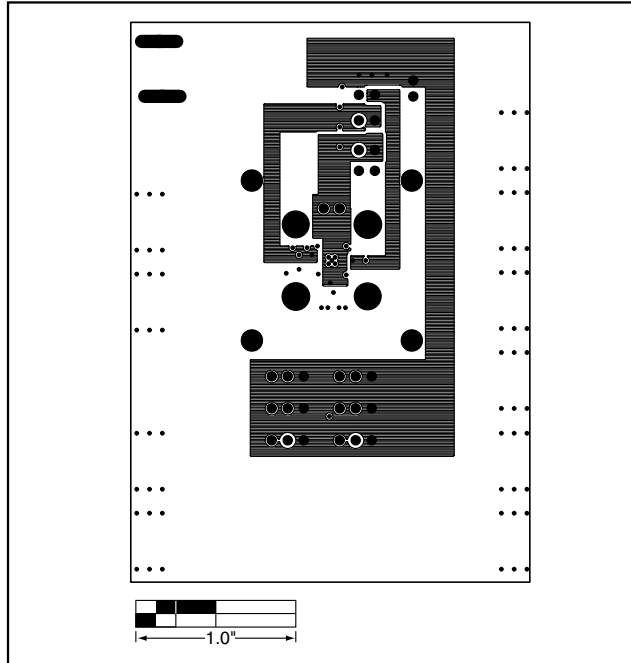


Figure 5. MAX3873 EV Kit PC Board Layout—Power Plane

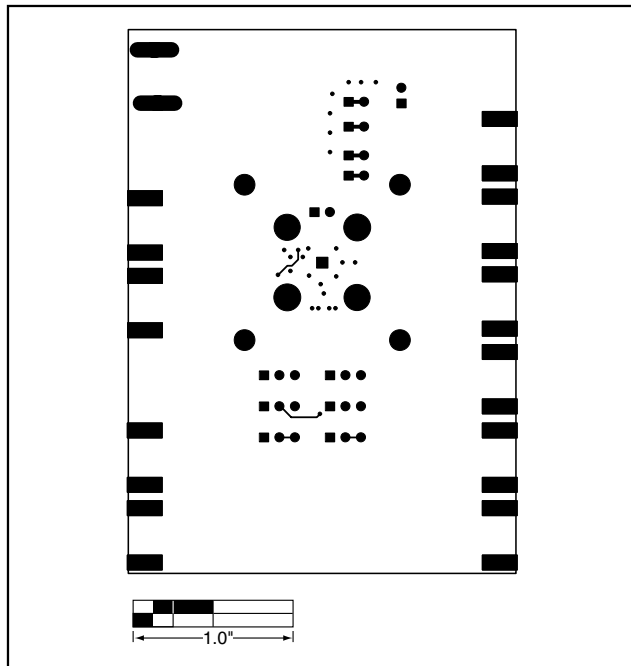


Figure 6. MAX3873 EV Kit PC Board Layout—Solder Side

Maxim cannot assume responsibility for use of any circuitry other than circuitry entirely embodied in a Maxim product. No circuit patent licenses are implied. Maxim reserves the right to change the circuitry and specifications without notice at any time.

Maxim Integrated Products, 120 San Gabriel Drive, Sunnyvale, CA 94086 408-737-7600 _____ 4